

## KF Vacuum Fittings

**KF CLAMPS - ALUMINIUM**

**KF VITON® 'O' RINGS**

**KF NITRILE 'O' RINGS**

**KF METAL SEAL CLAMPS - STAINLESS STEEL**

**KF METAL SEALS - ALUMINIUM**

**KF STAINLESS STEEL CENTERING RINGS, NITRILE 'O' RINGS**

**KF STAINLESS STEEL CENTERING RINGS, VITON® 'O' RINGS**

**KF TRAPPED CENTERING RINGS, VITON® 'O' RINGS**

**KF TRAPPED CENTERING RINGS, NITRILE 'O' RINGS**

**KF MESH CENTERING RINGS, NITRILE 'O' RINGS**

**KF MESH CENTERING RINGS, VITON® 'O' RINGS**

**KF STAINLESS STEEL REDUCING CENTERING RINGS, NITRILE 'O' RINGS**

**KF STAINLESS STEEL REDUCING CENTERING RINGS, VITON® 'O' RINGS**

**KF BLANK FLANGES - STAINLESS STEEL**

**KF BORED FLANGES - STAINLESS STEEL**

**KF FLANGE CAPS**

**KF TUBULATIONS (HALF NIPPLES), SHORT - STAINLESS STEEL**

**KF WELD SOCKETS - STAINLESS STEEL**

**KF HOSE NOZZELS - STAINLESS STEEL**

**KF TUBULATIONS (HALF NIPPLES), LONG - STAINLESS STEEL**

**KF TUBULATIONS FOR PVC HOSE - STAINLESS STEEL**

**KF HOSE CLAMPS**

**WIRE REINFORCED PVC HOSE**

**KF HOSE CONNECTORS - PVC/STAINLESS STEEL**

**KF TUBULATED REDUCING ADAPTORS - STAINLESS STEEL**

**KF STRAIGHT CONNECTORS - STAINLESS STEEL**

**ISO TO KF TUBULATED ADAPTORS - STAINLESS STEEL**

**CF TO KF TUBULATED ADAPTORS - STAINLESS STEEL**

**KF TO MALE NPT PIPE ADAPTORS - STAINLESS STEEL**

**KF TO FEMALE NPT PIPE ADAPTORS - STAINLESS STEEL**

**KF COMPRESSION FIT TUBING ADAPTORS- STAINLESS STEEL**

**KF ELBOWS - STAINLESS STEEL**

**KF TEES - STAINLESS STEEL**

**KF 4-WAY CROSSES - STAINLESS STEEL**

**KF UNEQUAL TEES - STAINLESS STEEL**

**KF REDUCING 4-WAY CROSSES - STAINLESS STEEL**

**KF FLEXIBLE HOSES**

**KF HYDROFORMED BELLOWS CONNECTORS**

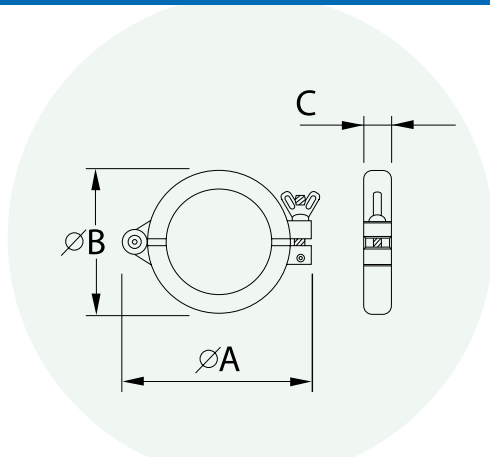
# KF, ISO & CF Vacuum Fittings

We offer a wide range of vacuum fittings with KF, ISO & CF terminations. The full range can be ordered in our online catalogue.

We can also offer a range of KF flanges and fittings which are fully compatible with those of other leading suppliers and are made from high quality materials. These products can be used in applications down to  $10^{-7}$  mbar and baked to  $200^{\circ}\text{C}$  (sustained to  $150^{\circ}\text{C}$ ).

- Fittings in KF 10, 16, 25, 40 and 50 sizes
- Wide range of fittings and components in stainless steel and aluminium
- Sealing materials are Viton and Nitrile.

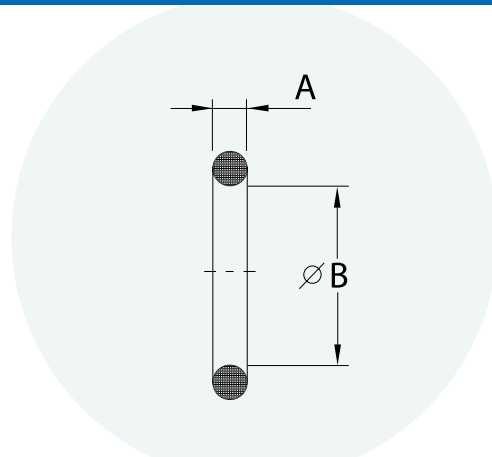
## KF CLAMPS - ALUMINIUM



ORDER CODE	SIZE	A	B	C	D	E
CL16	KF10/16	61	45	16	-	-
CL25	KF20/25	72	55	16	-	-
CL40	KF32/40	90	70	18	-	-
CL50	KF50	123	95	25	-	-

Pressure range  $10^{-9}$  mbar to 10 bar.  
Temperature range  $-10$  to  $200^{\circ}\text{C}$ .

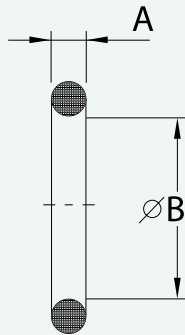
## KF VITON® 'O' RINGS



ORDER CODE	SIZE	A	B	C	D	E
VR10	KF10	5	15	-	-	-
VR16	KF16	5	18	-	-	-
VR25	KF25	5	28	-	-	-
VR40	KF40	5	42	-	-	-
VR50	KF50	5	55	-	-	-

Pressure range  $10^{-7}$  mbar to 1 bar absolute.  
Temperature range  $-10$  to  $200^{\circ}\text{C}$  (Sustained  $150^{\circ}\text{C}$ ).

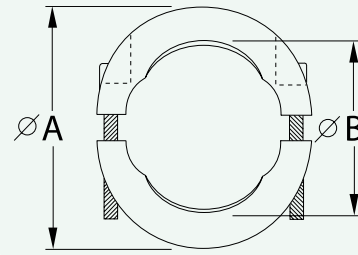
## KF NITRILE 'O' RINGS



ORDER CODE	SIZE	A	B	C	D	E
NR10	KF10	5	15	-	-	-
NR16	KF16	5	18	-	-	-
NR25	KF25	5	28	-	-	-
NR40	KF40	5	42	-	-	-
NR50	KF50	5	55	-	-	-

Pressure range  $10^{-7}$  mbar to 1 bar.  
Temperature range -10 to 100°C.

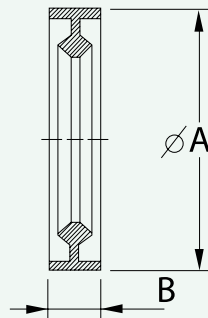
## KF METAL SEAL CLAMPS - STAINLESS STEEL



ORDER CODE	SIZE	A	B	C	D	E
MSC16	KF10/16	54	22	-	-	-
MSC25	KF20/25	64	32	-	-	-
MSC40	KF32/40	82	47	-	-	-
MSC50	KF50	112	62	-	-	-

Pressure range  $10^{-8}$  mbar to 3 bar.

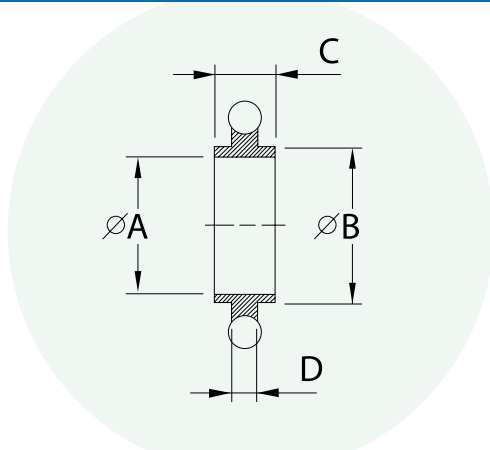
## KF METAL SEALS - ALUMINIUM



ORDER CODE	SIZE	A	B	C	D	E
MS16	KF10/16	32	7	-	-	-
MS25	KF20/25	42	7	-	-	-
MS40	KF32/40	57	7	-	-	-
MS50	KF50	77	7	-	-	-

Pressure range  $10^{-8}$  mbar to 3 bar.

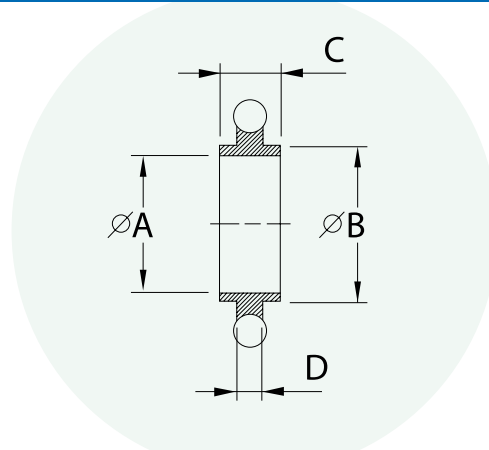
### KF STAINLESS STEEL CENTERING RINGS, NITRILE 'O' RINGS



ORDER CODE	SIZE	A	B	C	D	E
SN10	KF10	10	12	8	3.9	-
SN16	KF16	16	17	8	3.9	-
SN25	KF25	25	26	8	3.9	-
SN40	KF40	40	41	8	3.9	-
SN50	KF50	50	52	8	3.9	-

Pressure range  $10^{-7}$  mbar to 1 bar.  
Temperature range -10 to 100°C (Sustained 150°C).

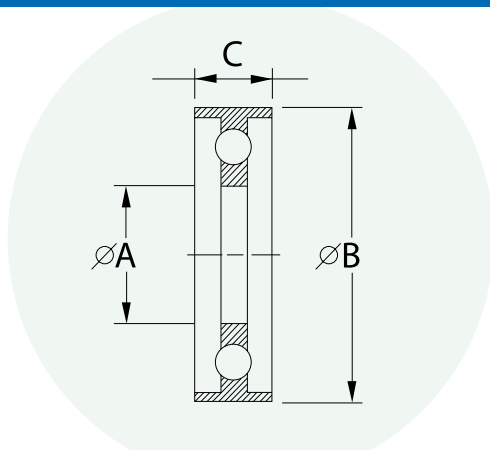
### KF STAINLESS STEEL CENTERING RINGS, VITON® 'O' RINGS



ORDER CODE	SIZE	A	B	C	D	E
SV10	KF10	10	12	8	3.9	-
SV16	KF16	16	17	8	3.9	-
SV25	KF25	25	26	8	3.9	-
SV40	KF40	40	41	8	3.9	-
SV50	KF50	50	52	8	3.9	-

Pressure range  $10^{-7}$  mbar to 1 bar.  
Temperature range -10 to 200°C (Sustained 150°C).

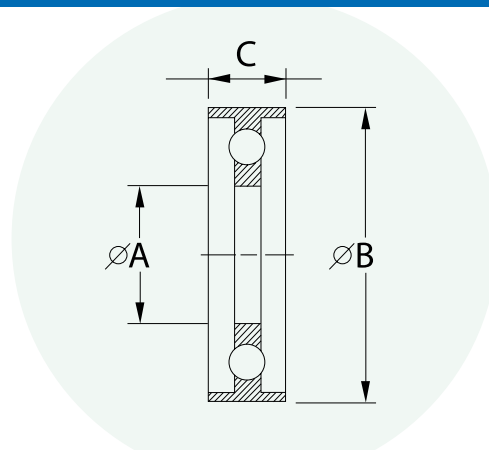
### KF TRAPPED CENTERING RINGS, NITRILE 'O' RINGS



ORDER CODE	SIZE	A	B	C	D	E
SN16T	KF16	16	31.5	8	-	-
SN25T	KF25	25	41.5	8	-	-
SN40T	KF40	40	56.5	8	-	-
SN50T	KF50	50	77.5	8	-	-

Pressure range  $10^{-7}$  mbar to 10 bar.  
Temperature range -10 to 100°C.

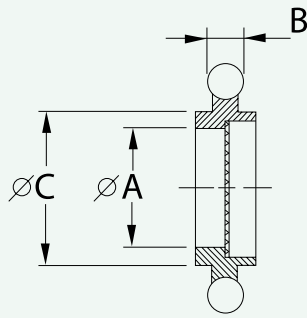
### KF TRAPPED CENTERING RINGS, VITON® 'O' RINGS



ORDER CODE	SIZE	A	B	C	D	E
SV16T	KF16	16	31.5	8	-	-
SV25T	KF25	25	41.5	8	-	-
SV40T	KF40	40	56.5	8	-	-
SV50T	KF50	50	77.5	8	-	-

Pressure range  $10^{-7}$  mbar to 10 bar.  
Temperature range -10 to 200°C (Sustained 150°C).

## KF MESH CENTERING RINGS, NITRILE 'O' RINGS

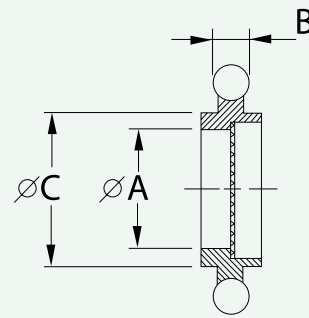


ORDER CODE	SIZE	A	B	C	D	E
SN16M	KF16	9.5	5	17	-	-
SN25M	KF25	19.5	5	26	-	-
SN40M	KF40	32	5	41	-	-
SN50M	KF50	43	5	52	-	-

Pressure range  $10^{-7}$  mbar to 1 bar.  
Temperature range -10 to 100°C.

Stainless steel centering ring with 72 mesh screen (0.5 x 0.5 x 1.0mm) and replacement Nitrile 'O' ring.

## KF MESH CENTERING RINGS, VITON® 'O' RINGS

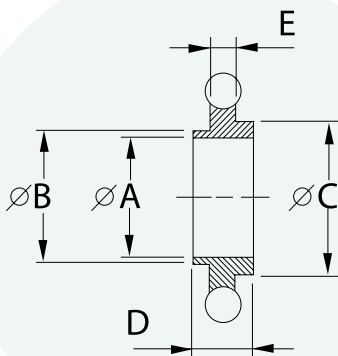


ORDER CODE	SIZE	A	B	C	D	E
SV16M	KF16	9.5	5	17	-	-
SV25M	KF25	19.5	5	26	-	-
SV40M	KF40	32	5	41	-	-
SV50M	KF50	43	5	52	-	-

Pressure range  $10^{-7}$  mbar to 1 bar.  
Temperature range -10 to 200°C (Sustained 150°C).

Stainless steel centering ring with 72 mesh screen (0.5 x 0.5 x 1.0mm) and replacement Viton® 'O' ring.

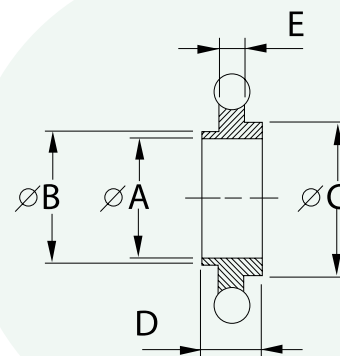
## KF STAINLESS STEEL REDUCING CENTERING RINGS, NITRILE 'O' RINGS



ORDER CODE	SIZE	A	B	C	D	E
SN10/16	KF10/16	10	12	17	8	3.9
SN20/25	KF20/25	20	22	26	8	3.9
SN32/40	KF32/40	32	34	41	8	3.9

Pressure range  $10^{-7}$  mbar to 1 bar.  
Temperature range -10 to 100°C.

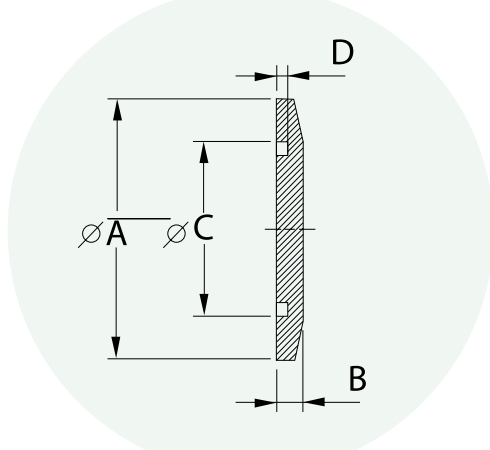
## KF STAINLESS STEEL REDUCING CENTERING RINGS, VITON® 'O' RINGS



ORDER CODE	SIZE	A	B	C	D	E
SV10/16	KF10/16	10	12	17	8	3.9
SV20/25	KF20/25	20	22	26	8	3.9
SV32/40	KF32/40	32	34	41	8	3.9

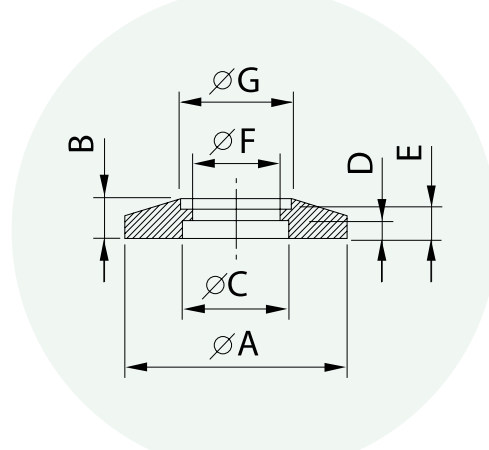
Pressure range  $10^{-7}$  mbar to 1 bar.  
Temperature range -10 to 200°C (Sustained 150°C).

## KF BLANK FLANGES - STAINLESS STEEL



ORDER CODE	SIZE	A	B	C	D	E
B10S	KF10	30	6	12.2	2.5	-
B16S	KF16	30	6	17.2	2.5	-
B25S	KF25	40	6	26.2	2.5	-
B40S	KF40	55	6	41.2	2.5	-
B50S	KF50	75	6	52.2	2.5	-

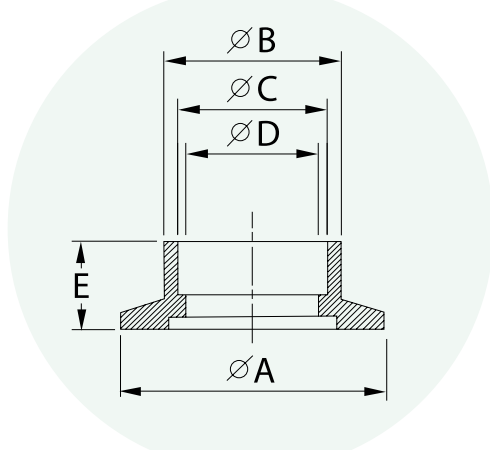
## KF BORED FLANGES - STAINLESS STEEL



ORDER CODE	SIZE	A	B	C	D	E	F	G
B10S10	KF10	30	5.1	12.2	2.5	4.0	10.0	14.0
B16S16	KF16	30	4.3	17.2	2.5	3.3	16.0	20.0
B25S24	KF25	40	4.6	26.2	2.5	3.5	24.0	28.0
B40S41	KF40	55	4.4	41.2	2.5	3.3	41.0	44.5
B50S51	KF50	75	5.4	52.2	2.5	4.4	51.0	57.0

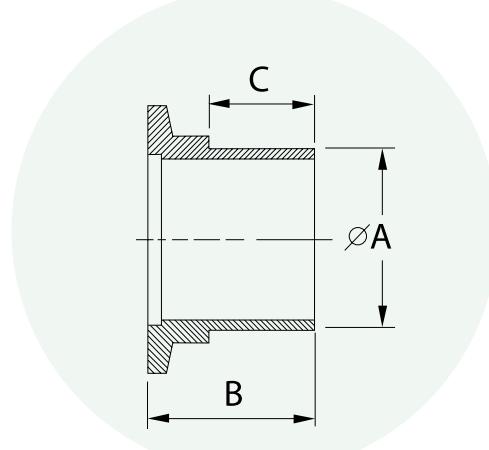
Special bores available on request.

## KF WELD SOCKETS - STAINLESS STEEL



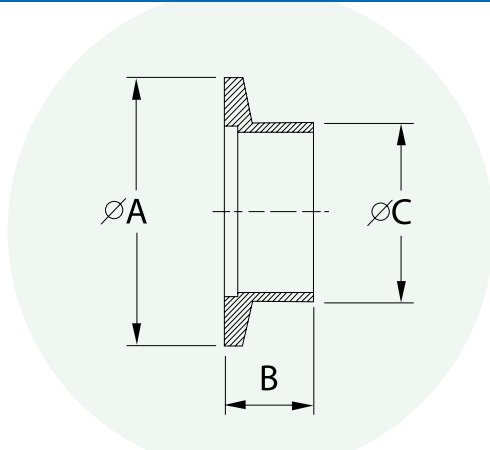
ORDER CODE	SIZE	A	B	C	D	E
KWS1611	KF16	30	15.5	13	11.4	12.7
KWS16	KF16	30	22.1	19.3	17.3	12.7
KWS25	KF25	40	28.6	25.9	22.1	12.7
KWS40	KF40	55	44.5	38.6	34.9	12.7
KWS50	KF50	75	57.2	51.3	47.5	12.7

## KF TUBULATIONS FOR PVC HOSE - STAINLESS STEEL



ORDER CODE	SIZE	A	B	C	D	E
TH10	KF10	12.7	32	20	-	-
TH1612	KF16	12.7	32	20	-	-
TH16	KF16	19.1	32	20	-	-
TH25	KF25	25.4	38.1	26	-	-
TH40	KF40	38.1	50	38.1	-	-
TH50	KF50	50.8	55	41	-	-

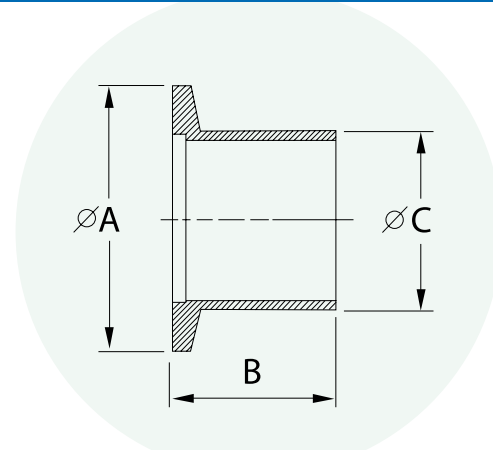
## KF TUBULATIONS (HALF NIPPLES), SHORT - STAINLESS STEEL



ORDER CODE	SIZE	A	B	C	D	E
ST10	KF10	30	30	14	-	-
ST16	KF16	30	30	20	-	-
ST25	KF25	40	30	28	-	-
ST40	KF40	55	30	45	-	-
ST50	KF50	75	30	57	-	-

Special lengths and diameters available on request.

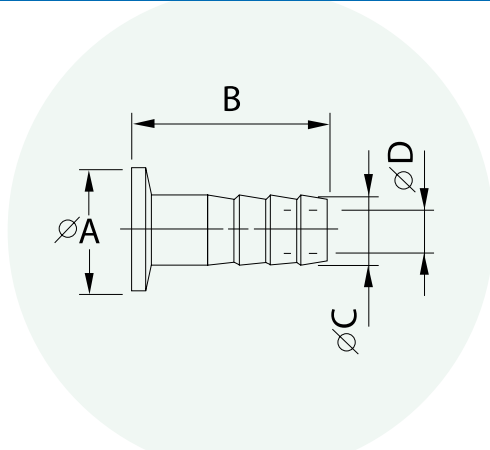
## KF TUBULATIONS (HALF NIPPLES), LONG - STAINLESS STEEL



ORDER CODE	SIZE	A	B	C	D	E
LT10	KF10	30	70	14	-	-
LT16	KF16	30	70	20	-	-
LT25	KF25	40	70	28	-	-
LT40	KF40	55	70	45	-	-
LT50	KF50	75	70	57	-	-

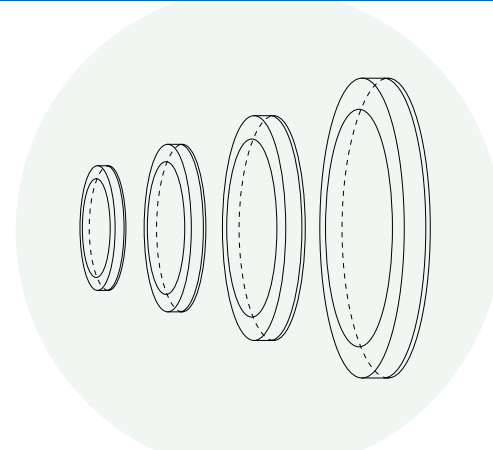
Special lengths and diameters available on request.

## KF HOSE NOZZELS - STAINLESS STEEL



ORDER CODE	SIZE	A	B	C	D	E
HN10	KF10	30	40	12	7	-
HN16	KF16	30	40	12	7	-
HN25	KF25	40	40	12	7	-
HN40	KF40	55	40	12	7	-
HN50	KF50	75	40	12	7	-

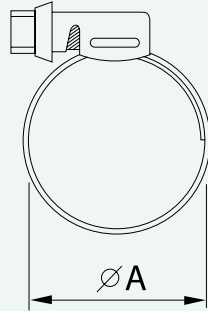
## KF FLANGE CAPS



ORDER CODE	SIZE	A	B	C	D	E
CAP16K	KF10/16	10	-	-	-	-
CAP25K	KF25	10	-	-	-	-
CAP40K	KF40	10	-	-	-	-
CAP50K	KF50	10	-	-	-	-

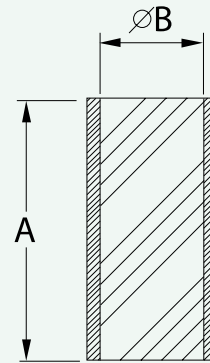
Plastic protective flange covers.

## KF HOSE CLAMPS

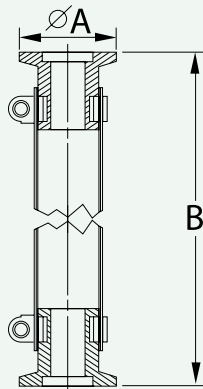


ORDER CODE	SIZE	A	B	C	D	E
HC16	KF10/16	25	-	-	-	-
HC25	KF25	36	-	-	-	-
HC40	KF40	50	-	-	-	-
HC50	KF50	60	-	-	-	-

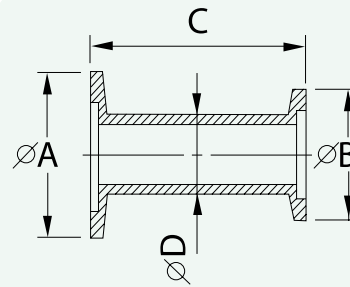
## WIRE REINFORCED PVC HOSE



ORDER CODE	SIZE	A	B	C	D	E
HOSE16	KF16	1000	3/4"	-	-	-
HOSE25	KF25	1000	1"	-	-	-
HOSE40	KF40	1000	1 1/2"	-	-	-
HOSE50	KF50	1000	2"	-	-	-

Nominal  
BoreKF HOSE CONNECTORS -  
PVC/STAINLESS STEEL

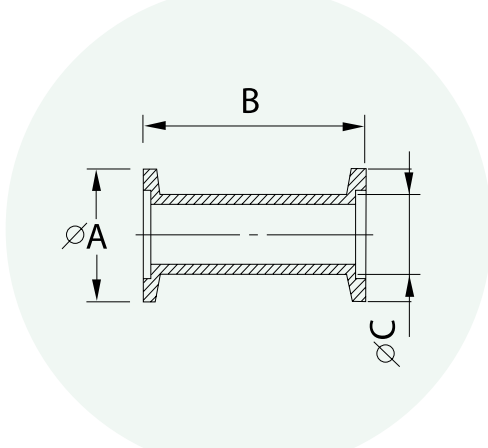
ORDER CODE	SIZE	A	B	C	D	E
H16K25	KF16	30	250	-	-	-
H16K50	KF16	30	500	-	-	-
H16K100	KF16	30	1000	-	-	-
H25K25	KF25	40	250	-	-	-
H25K50	KF25	40	500	-	-	-
H25K100	KF25	40	1000	-	-	-
H40K25	KF40	55	250	-	-	-
H40K50	KF40	55	500	-	-	-
H40K100	KF40	55	1000	-	-	-
H50K25	KF50	75	250	-	-	-
H50K50	KF50	75	500	-	-	-
H50K100	KF50	75	1000	-	-	-

KF TUBULATED REDUCING  
ADAPTORS - STAINLESS STEEL

ORDER CODE	SIZE	A	B	C	D	E
RA1610	KF16/10	30	30	28	14	-
RA2510	KF25/10	40	30	28	14	-
RA4010	KF40/10	55	30	28	14	-
RA2516	KF25/16	40	30	28	20	-
RA4016	KF40/16	55	30	28	20	-
RA5016	KF50/16	75	30	28	20	-
RA4025	KF40/25	55	40	28	28	-
RA5025	KF50/25	75	40	28	28	-
RA5040	KF50/40	75	55	28	45	-

Special lengths available on request.

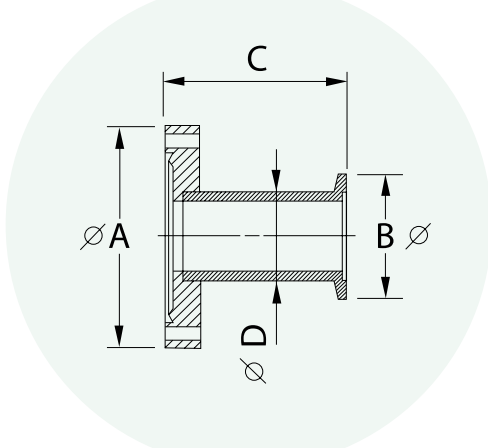
## KF STRAIGHT CONNECTORS - STAINLESS STEEL



ORDER CODE	SIZE	A	B	C	D	E
SCK10	KF10	30	60	14	-	-
SCK16	KF16	30	80	20	-	-
SCK25	KF25	40	100	28	-	-
SCK40	KF40	55	130	45	-	-
SCK50	KF50	75	140	57	-	-

Special lengths available on request.

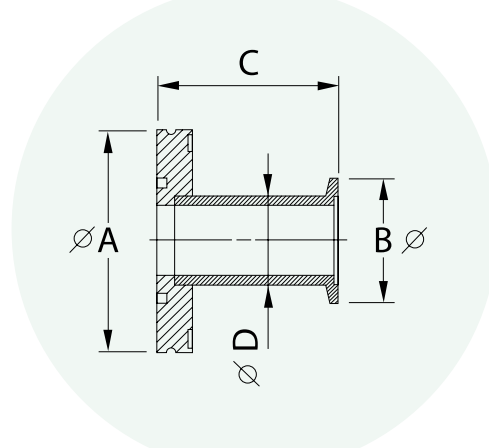
## CF TO KF TUBULATED ADAPTORS - STAINLESS STEEL



ORDER CODE	SIZE	A	B	C	D	E
KA1610	KF16CF/KF10	34	30	36	14	-
KA1616	KF16CF/KF16	34	30	36	20	-
KA3510	KF35CF/KF10	70	30	36	14	-
KA3516	KF35CF/KF16	70	30	36	20	-
KA3525	KF35CF/KF25	70	40	36	28	-
KA3540	KF35CF/KF40	70	55	50	45	-
KA6325	KF63CF/KF25	114	40	50	28	-
KA6340	KF63CF/KF40	114	55	50	45	-
KA6350	KF63CF/KF50	114	75	50	57	-
KA1025	KF100CF/KF25	152	40	50	28	-
KA1040	KF100CF/KF40	152	55	50	45	-
KA1050	KF100CF/KF50	152	75	50	57	-
KA1525	KF150CF/KF25	203	40	70	28	-
KA1540	KF150CF/KF40	203	55	70	45	-
KA1550	KF150CF/KF50	203	75	70	57	-

Special lengths available on request.

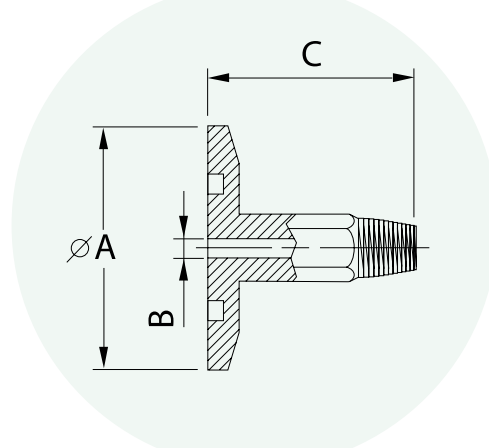
## ISO TO KF TUBULATED ADAPTORS - STAINLESS STEEL



ORDER CODE	SIZE	A	B	C	D	E
SK6325	ISO63/KF25	95	40	50	28	-
SK6340	ISO63/KF40	95	55	50	45	-
SK1040	ISO100/KF40	130	55	50	45	-
SK8040	ISO80/KF40	110	55	118	45	-
SK6350	ISO63/KF50	95	75	50	57	-
SK8050	ISO80/KF50	110	75	118	57	-
SK1050	ISO100/KF50	130	75	50	57	-

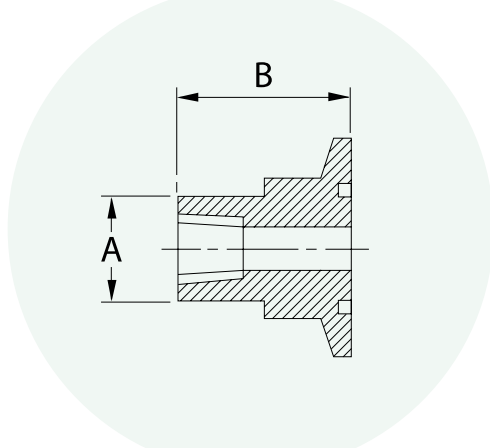
Special lengths available on request.

## KF TO MALE NPT PIPE ADAPTORS - STAINLESS STEEL



ORDER CODE	SIZE	A	B	C	D	E
K16N1/8	KF16	30	4.7	40	-	1/8"
K16N1/4	KF16	30	7.1	50	-	1/4"
K25N1/8	KF25	40	4.7	40	-	1/8"
K25N1/4	KF25	40	7.1	50	-	1/4"
K25N1/2	KF25	40	11.9	75	-	1/2"
K25N3/4	KF25	40	15.9	75	-	3/4"
K40N1/4	KF40	55	7.1	50	-	1/4"
K40N1/2	KF40	55	11.9	75	-	1/2"
K40N3/4	KF40	55	15.9	75	-	3/4"
K40N1	KF40	55	22.2	75	-	1"
K50N1/4	KF50	75	7.1	50	-	1/4"
K50N1/2	KF50	75	11.9	75	-	1/2"
K50N3/4	KF50	75	15.9	75	-	3/4"
K50N1	KF50	75	22.2	75	-	1"

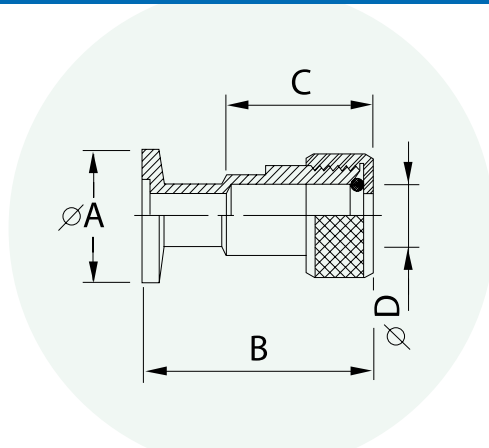
## KF TO FEMALE NPT PIPE ADAPTORS - STAINLESS STEEL



ORDER CODE	SIZE	A	B	C	D	E
K10N1/8F	KF10	15.8	19.1	-	-	1/8"
K16N1/8F	KF16	15.8	19.1	-	-	1/8"
K25N1/8F	KF25	22.4	19.1	-	-	1/8"
K40N1/8F	KF40	31.8	25.4	-	-	1/8"
K50N1/8F	KF50	44.5	25.4	-	-	1/8"
K10N1/4F	KF10	15.8	19.1	-	-	1/4"
K16N1/4F	KF16	15.8	19.1	-	-	1/4"
K25N1/4F	KF25	22.4	19.1	-	-	1/4"
K40N1/4F	KF40	31.8	25.4	-	-	1/4"
K50N1/4F	KF50	44.5	25.4	-	-	1/4"

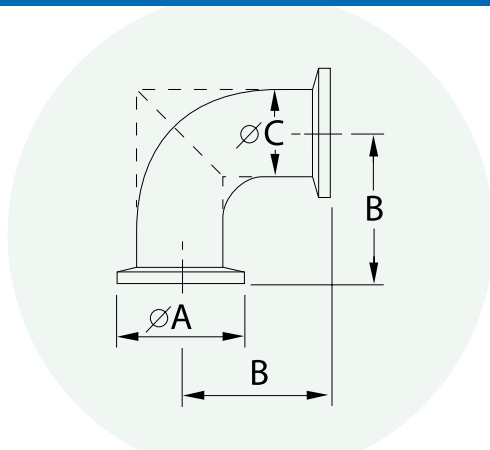
A = Across flats

## KF COMPRESSION FIT TUBING ADAPTORS- STAINLESS STEEL



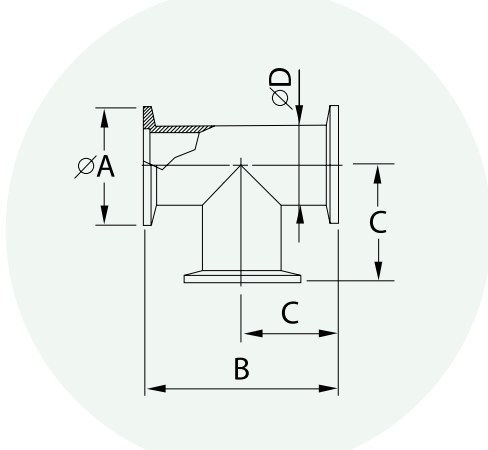
ORDER CODE	SIZE	A	B	C	D	E
LTA1012	KF10	30	50	33	13.1	12.7
TA166	KF16	30	32	-	6.7	6.4
TA1612	KF16	30	50	33	13.1	12.7
TA1619	KF16	30	56	40	19.4	19.1
TA2512	KF25	40	50	33	13.1	12.7
TA2519	KF25	40	58	40	19.4	19.1
TA2525	KF25	40	62	46	25.8	25.4
TA4012	KF40	55	58	33	13.1	12.7
TA4019	KF40	55	63.5	40	19.4	19.1
TA4025	KF40	55	71	46	25.8	25.4
TA4028	KF40	55	74	49	29	28.6
TA4038	KF40	55	84	63.5	38.4	38.1
TA5019	KF50	75	63.5	40	19.4	19.1
TA5025	KF50	75	71	46	25.8	25.4
TA5028	KF50	75	74	49	29	28.6
TA5038	KF50	75	87	63.5	38.4	38.1
TA5050	KF50	75	87	66	51.1	50.8

## KF ELBOWS - STAINLESS STEEL



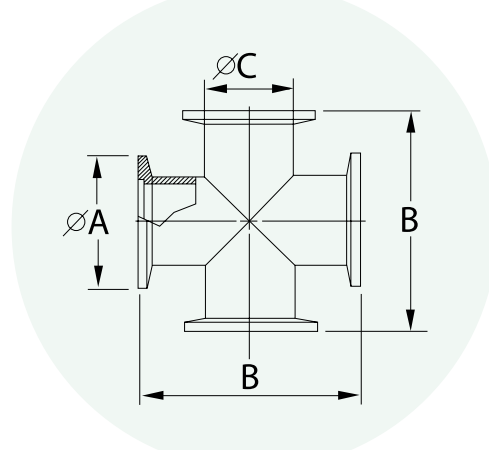
ORDER CODE	SIZE	A	B	C	D	E
ELB10	KF10	30	30	14	-	MITRED
ELB16	KF16	30	40	20	-	SWEPT
ELB25	KF25	40	50	28	-	SWEPT
ELB40	KF40	55	65	45	-	SWEPT
ELB50	KF50	75	70	57	-	MITRED

## KF TEES - STAINLESS STEEL



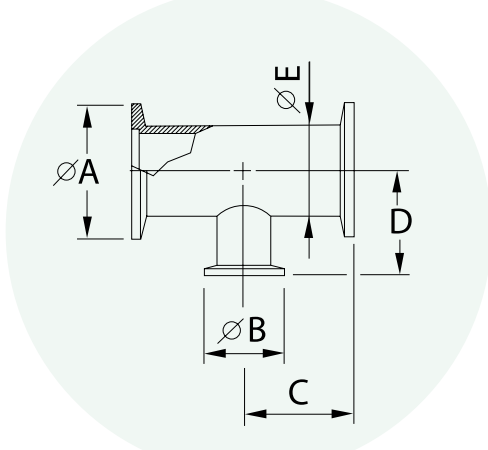
ORDER CODE	SIZE	A	B	C	D	E
TEE10	KF10	30	60	30	14	-
TEE16	KF16	30	80	40	20	-
TEE25	KF25	40	100	50	28	-
TEE40	KF40	55	130	65	45	-
TEE50	KF50	75	140	70	57	-

## KF 4-WAY CROSSES - STAINLESS STEEL



ORDER CODE	SIZE	A	B	C	D	E
X10K	KF10	30	60	14	-	-
X16K	KF16	30	80	20	-	-
X25K	KF25	40	100	28	-	-
X40K	KF40	55	130	45	-	-
X50K	KF50	75	140	57	-	-

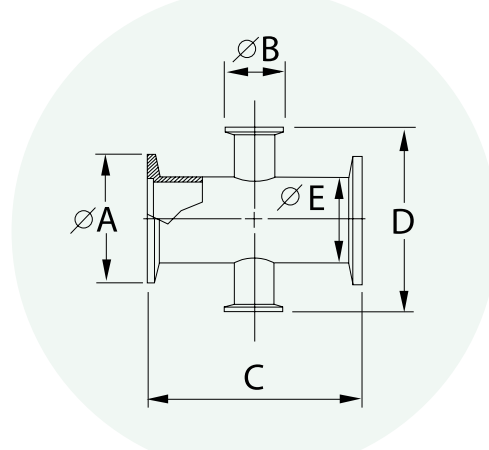
## KF UNEQUAL TEES - STAINLESS STEEL



ORDER CODE	SIZE	A	B	C	D	E
T2510	KF25/10	40	30	50	40	28
T2516	KF25/16	40	30	50	40	28
T4016	KF40/16	55	30	65	40	45
T4025	KF40/25	55	40	65	50	45
T5016	KF50/16	75	30	70	50	57
T5025	KF50/25	75	40	70	65	57
T5040	KF50/40	75	55	70	65	57

For ISO to KF reducing tees see page ?

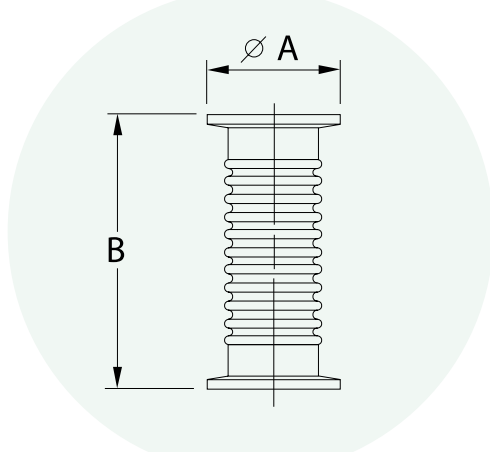
## KF REDUCING 4-WAY CROSSES - STAINLESS STEEL



ORDER CODE	SIZE	A	B	C	D	E
X2510	KF25/10	40	30	70	70	28
X2516	KF25/16	40	30	100	80	28
X4010	KF40/10	55	30	80	90	45
X4016	KF40/16	55	30	130	80	45
X4025	KF40/25	55	40	130	100	45
X5025	KF50/25	75	40	140	100	57
X5040	KF50/40	75	55	140	130	57

For ISO to KF reducing tees see page ?

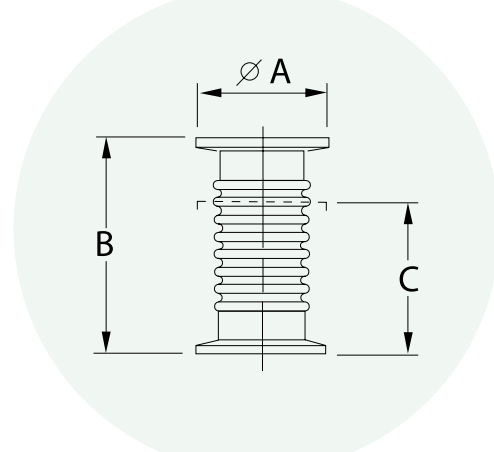
## KF FLEXIBLE HOSES



ORDER CODE	SIZE	A	B	C	D	E
FLEX1025	KF10	30	250	-	-	-
FLEX1050	KF10	30	500	-	-	-
FLEX1075	KF10	30	750	-	-	-
FLEX10100	KF10	30	1000	-	-	-
FLEX1625	KF16	30	250	-	-	-
FLEX1650	KF16	30	500	-	-	-
FLEX1675	KF16	30	750	-	-	-
FLEX16100	KF16	30	1000	-	-	-
FLEX2525	KF25	40	250	-	-	-
FLEX2550	KF25	40	500	-	-	-
FLEX2575	KF25	40	750	-	-	-
FLEX25100	KF25	40	1000	-	-	-
FLEX4025	KF40	55	250	-	-	-
FLEX4050	KF40	55	500	-	-	-
FLEX4075	KF40	55	750	-	-	-
FLEX40100	KF40	55	1000	-	-	-
FLEX5025	KF50	75	250	-	-	-
FLEX5050	KF50	75	500	-	-	-
FLEX5075	KF50	75	750	-	-	-
FLEX50100	KF50	75	1000	-	-	-

Used to overcome misalignment. Special lengths available on request.

## KF HYDROFORMED BELLOWS CONNECTORS



ORDER CODE	SIZE	A	B	C	D	E
BEL10	KF10	30	123	102	-	-
BEL16	KF16	30	123	102	-	-
BEL25	KF25	40	123	102	-	-
BEL40	KF40	55	123	102	-	-
BEL50	KF50	75	123	102	-	-
BEL10A	KF10	30	65	55	-	-
BEL16A	KF16	30	65	55	-	-
BEL25A	KF25	40	80	65	-	-
BEL40A	KF40	55	105	80	-	-
BEL50A	KF50	75	100	85	-	-

Edge welded bellows available on request.

Used for straight connection between components to minimise the transfer of vibration.